



# CODAN

## Mix-Ad Set

Safe handling of antibiotics

The decisive connection



## Preparation and administration - all in one

Treatment with intravenous antibiotics is one of the most common pharmaceutical therapies in hospital settings, and this carries the risk of exposure to antibiotics for nurses and healthcare medical personnel.

Antibiotics are classified as hazardous pharmaceuticals, therefore healthcare personnel should protect themselves from exposure to them. During the preparation and administration of antibiotics, spills and environmental contamination are common and should be avoided.

The **CODAN Mix-Ad Set** is a system used to dissolve dried pharmaceuticals and administer the resulting intravenous infusion solution to the patient in one complete system.

It is a product specially developed for use with pharmaceuticals that require safe handling with reduced risk of contamination during preparation and administration. CODAN Mix-Ad Sets have been developed in close collaboration with healthcare professionals; the safety features and user benefits have been amply proven over years of use.

### Development

Continuous developments and improvements ensure that our infusion sets for a safe infusion management via sets can be used advantageously in combination with other CODAN products.

**The use of CODAN Mix-Ad Sets allow a safe handling during the preparation and administration of pharmaceuticals.**

### Advantages of working with the CODAN Mix-Ad Set

- Reduced exposure to hazardous pharmaceuticals
- Reduced risk of contact allergies
- Simplified working procedures
- Less waste thanks to reduced packaging

CODAN Mix-Ad Sets are already known for their outstanding quality and performance. Now the same benefits are offered in an even more environmentally friendly version:



**CODAN green line® Mix-Ad Set** is an innovative product line that offers you an alternative to conventional PVC products. These preparation and administration sets are PVC-free which does not only add to health-protection, but also provides a positive contribution to reducing the environmental impact.

The green line® Mix-Ad Sets are high-quality products that are also impacting the ecological footprint positively. CODAN takes pride in offering a sustainable solution to fulfil the customer's needs and protecting the environment at the same time. Discover the variety of green line® Mix-Ad Sets from CODAN today and set an example for an environmentally conscious future.

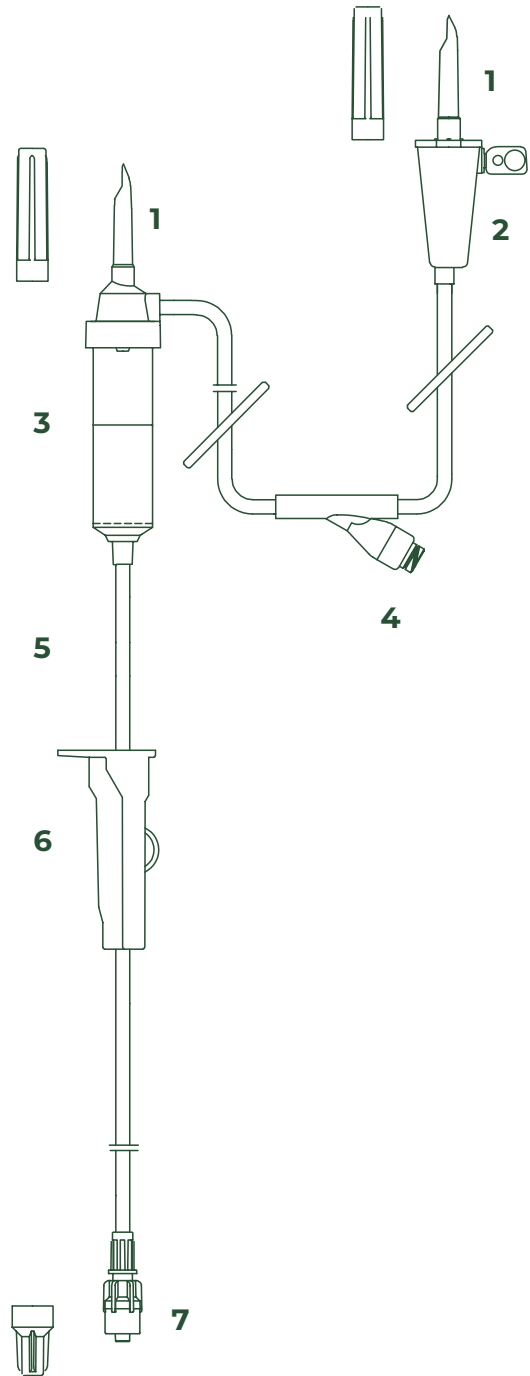
### Antibiotic resistance

Bacterial infections have been effectively treated with antibiotics since the 1940s. However, the increasing and prolonged use of these pharmaceuticals has caused bacteria to adapt to antibiotic treatment, making antibiotics less effective. Antibiotic resistance is a serious threat to public health as there are no real alternatives. The main cause of resistance is the misuse and unnecessary prescription of antibiotics.

Several strategies are being implemented around the world to reduce antibiotic resistance, e.g. judicious use and hygienic precautions to manage contamination. Avoiding exposure to antibiotics is a small but important part of the fight against resistant microorganisms. With CODAN products that ensure safe preparation and administration of these pharmaceuticals, the risk of environmental contamination is reduced.

## Unique CODAN Components

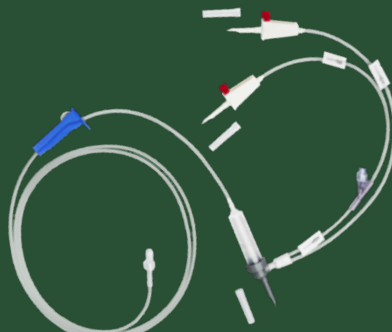
1. The CODAN designed spike enables all commonly used infusion containers and bags to be penetrated with ease as well as offering a tight and secure fit.
2. The bacteria-tight air filter integrated in the spike ensures sterile ventilation and prevents aerosols.
3. The standard drip rate is 20 drops /1 ml.  
The flexible, transparent non-reflective material with level ring mark enables easy priming and control of drip rate. Available with a 15 µm filter or a special CODAN Guard® AirStop filter membrane to prevent air infusion.
4. Needle-free Y-site (Y SWAN-LOCK®) with Luer-Lock activated open/close mechanism. The surface of the closed valve is flat and can be easily swabbed for disinfection – capless version.
5. CODAN Mix-Ad Sets are available with PVC (TOTM) tubing or with green line® (PVC-free) tubing. Our production has for several years eliminated any use of Latex and DEHP plasticisers.
6. Our CODAN precision roller clamp guarantees a constant flow throughout the whole administration period.
7. Rotating Male Luer-Lock adapter with SELF-LOCK feature for a safe and comfortable connection. The FlowStop protection cap for Male Luer-Lock adapter is equipped with an integrated hydrophobic membrane, ensuring internal sterility prior to use. During priming, the FlowStop protection cap remains attached to the Male Luer-Lock adapter and allows air to pass – as soon as solution reaches the membrane, the flow stops automatically.



### The CODAN Mix-Ad Set is available in several variants



CODAN Guard® Mix-Ad Set/1  
(1 Spike)



CODAN Guard® Mix-Ad Set/2  
(2 Spikes)



CODAN Mix-Ad Inline/1

# CODAN Worldwide

CODAN is known internationally as a manufacturer and supplier of medical transfer systems. The CODAN Companies have more than 1500 employees around the world.

The name CODAN is synonymous with reliability, quality and precision based on the know-how and experience gained from more than 60 years of research and development. Company-owned production facilities and sales companies around the world are a guarantee for efficient production, a tight-knit sales network and a first-class service for customers in the healthcare sector.

## CODAN Product range

- Infusion sets
- Transfusion sets
- Extension sets & Manifold connectors
- Infusion & Transfusion accessories
- Infusion filters & Filter systems
- Neonatology & Paediatrics products
- Withdrawal, Preparation & Administration systems
- CODAN CYTO®
- Chemoprotect® products
- Urology & Gynaecology products
- Single use syringes
- Invasive Blood Pressure Monitoring
- Infusion Technology Solutions
- Volumetric & Syringe pumps
- Software
- CODAN COMPONENTS

## CODAN Companies

CODAN Medizinische Geräte GmbH · Deutschland  
CODAN pvb Critical Care GmbH · Deutschland  
CODAN pvb Medical GmbH · Deutschland  
CODAN II, S.A. · Portugal  
CODAN US Corporation · USA  
CODAN Inc. · USA  
CODAN NORGE AS · Norge  
CODAN TRIPLUS AB · Sverige  
CODAN Limited · United Kingdom  
CODAN FRANCE Sarl · France  
CODAN Medical AG · Schweiz  
CODAN ARGUS AG · Schweiz  
arcomed AG · Schweiz  
CODAN BV · Nederland  
CODAN s.r.l. · Italia  
CODAN Medical GmbH · Österreich  
CODAN Medical ApS · Danmark  
CODAN DEHA ApS · Danmark  
CODAN MEDITECH s.r.o. · Česká republika  
arcomed Pty Ltd · Australia  
arcomed Ltd · New Zealand

Compliance of the established quality management systems with the provisions of EN ISO 13485, the Council Directive 93/42/EEC and/or Regulation (EU) 2017/745 has been certified by the relevant, competent notified bodies:

## TÜV SÜD Product Service GmbH

CODAN Medizinische Geräte GmbH  
23738 Lensahn, Germany

CODAN pvb Critical Care GmbH  
85661 Forstinning, Germany

CODAN US Corporation  
Santa Ana, CA 92704, USA

CODAN ARGUS AG  
6340 Baar, Switzerland

arcomed AG  
8302 Kloten, Switzerland

## Presafe Denmark A/S

CODAN Medical ApS  
4970 Rødby, Denmark



## Manufacturer

CODAN Medizinische Geräte GmbH  
Stig Husted-Andersen Straße 11  
23738 Lensahn · DE  
Tel.: +49 (0) 43 63 · 51 11 · Fax: +49 (0) 43 63 · 51 12 14  
codan@codan.de  
www.codancompanies.com

**The decisive connection**